

Notes:

Product	Family	Optic	Mounting	# of LEDs (x 10)	LED Series	Voltage	Color Options	Factory-Installed Options
STR	LWY	3M <sup>1</sup> 3MB <sup>2</sup>	HT <sup>3</sup>	02 03	C	UL Universal 120–277V UH Universal 347–480V	SV Silver <sup>4</sup> BK Black <sup>4</sup> BZ Bronze <sup>4</sup> PB Platinum Bronze <sup>4</sup> WH White <sup>4</sup>	Please type additional options in manually on the lines provided above. 350 350mA Drive Current <sup>5</sup> 43K 4300K Color Temperature <sup>6</sup> 700 700mA Drive Current <sup>7</sup> DIM 0–10V Dimming <sup>8,9</sup> F Fuse <sup>10</sup> HL Hi/Low (175/350/525, dual circuit input) <sup>11-13</sup> N No Quick Disconnect Harness or Leveling Bubble <sup>14</sup> PD Power Door <sup>15,16</sup> R NEMA Photocell Receptacle <sup>10</sup> SC Door Safety Tether <sup>17</sup>

Click here for Utility option.

For additional options, see IP66 spec sheet.

Footnotes

- IESNA Type III Medium distribution
- IESNA Type III Medium distribution with backlight control
- Horizontal tenon mount
- Light engine portion of extrusion is not painted and will remain natural aluminum regardless of color selection
- Driver operates at 350mA instead of the standard 525mA providing a lower lumen output and a longer life
- Color temperature per fixture; minimum 70 CRI
- Driver operates at 700mA instead of the standard 525mA providing a higher lumen output and a shorter life
- Control by others
- Please consult factory for availability
- Not available with HL option when UH voltage is selected
- Not available when UH voltage is selected
- Refer to multi level spec sheet for more information
- Sensor not included
- Standard product features unless N option is specified; door clips not included
- All connections between door and fixture are shipped unconnected from the factory; door release spring included to open door automatically when the latches are released
- Hinge retaining clips not included as part of this option
- Stainless steel aircraft cable

LED PERFORMANCE SPECS																									
# of LEDs	Initial Delivered Lumens – Type III Medium @ 6000K	B	U	G	Initial Delivered Lumens – Type III Medium w/ Backlight Control @ 6000K	B	U	G	Initial Delivered Lumens – Type III Medium @ 4300K	B	U	G	Initial Delivered Lumens – Type III Medium w/ Backlight Control @ 4300K	B	U	G	System Watts 120–277V	Total Current @ 120V	Total Current @ 230V	Total Current @ 277V	System Watts 347–480V	Total Current @ 347V	Total Current @ 480V	L <sub>70</sub> Hours** @ 25° C (77° F)	
																									Rating***
<b>350mA Fixture Operating at 25° C (77° F)</b>																									
20	1,738 (02)	1	1	1	1,303 (02)	0	1	1	1,524 (02)	1	1	1	1,143 (02)	0	1	1	26	0.22	0.14	0.16	32	0.10	0.13	163,000	
30	2,607 (03)	1	1	1	1,955 (03)	0	1	1	2,287 (03)	1	1	1	1,715 (03)	0	1	1	37	0.31	0.18	0.17	43	0.13	0.15	150,000	
<b>525mA (Standard) Fixture Operating at 25° C (77° F)</b>																									
20	2,329 (02)	1	1	1	1,747 (02)	0	1	1	2,043 (02)	1	1	1	1,532 (02)	0	1	1	39	0.32	0.19	0.17	44	0.13	0.15	107,000	
30	3,493 (03)	1	1	1	2,620 (03)	0	1	1	3,064 (03)	1	1	1	2,298 (03)	0	1	1	55	0.46	0.26	0.22	61	0.18	0.17	92,000	
<b>700mA Fixture Operating at 25° C (77° F)</b>																									
20	2,850 (02)	1	1	1	2,138 (02)	0	1	1	2,500 (02)	1	1	1	1,875 (02)	0	1	1	54	0.45	0.25	0.22	59	0.17	0.17	73,000	
30	4,275 (03)	2	2	2	3,206 (03)	0	1	1	3,750 (03)	2	2	2	2,812 (03)	0	1	1	77	0.65	0.35	0.30	83	0.24	0.21	61,000	

\* Utilizes magnetic step-down transformer

\*\* For recommended lumen depreciation data see TD-13

\*\*\* For more information on the IES BUG (Backlight-Uplight-Glare) Rating visit [www.iesna.org/PDF/Erratas/TM-15-07BugRatingsAddendum.pdf](http://www.iesna.org/PDF/Erratas/TM-15-07BugRatingsAddendum.pdf)



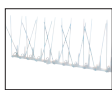
**General Description**

Fixture housing is all aluminum construction. Standard fixture utilizes terminal block for power input suitable for #2–#14 AWG wire and operates at 525mA. Drive current is field switchable on 20 and 30 LED units. Fixture is designed to mount on 1.25" IP (1.675" O.D.) and/or 2" IP (2.375" O.D.) horizontal tenon and is adjustable +/- 5° to allow for fixture leveling (includes leveling bubble to aid in this process). Fixture carries a limited five year warranty.

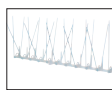
**Electrical**

Modular design accommodates varied lighting output from high power, white, 6000K (+/- 500K per full fixture), minimum 70 CRI, long life LED sources. 120–277V 50/60 Hz, Class 1 LED drivers are standard. 347–480V 50/60 Hz option is available. LED drivers have power factor >90% and THD <20% at full load. Units provided with integral 9kV surge suppression protection standard. Quick disconnect harness suitable for mate and break under load provided on power feed to driver for ease of maintenance. Surge protection tested in accordance with IEEE C62.41.2 and ANSI standard 62.41.2.

**Field-Installed Accessories**



**Bird Spikes for Light Engine**  
XA-BRDSPK30



**Bird Spikes Kit for Housing**  
XA-BRDSPKHSG

**Finish**

Exclusive Colorfast DeltaGuard® finish features an E-Coat epoxy primer with an ultra-durable silver powder topcoat, providing excellent resistance to corrosion, ultraviolet degradation and abrasion. Bronze, black, white and platinum bronze powder topcoats are also available. The finish is covered by our 10 year limited warranty.

Fixture and finish are endurance tested to withstand 5,000 hours of elevated ambient salt fog conditions as defined in ASTM Standard B 117.

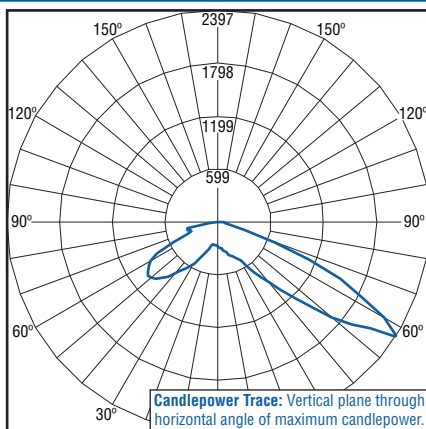
**Testing & Compliance**

UL listed in the U.S. and Canada for wet locations. Consult factory for CE Certified products. RoHS compliant. Meets CALTrans 611 Vibration Testing and GR-63-CORE Section 4.4.1/5.4.2 Earthquake Zone 4. International Dark-Sky Association approved.

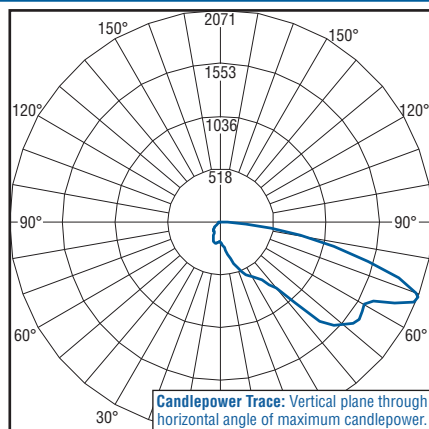
**Patents**

U.S. and international patents granted and pending. BetaLED is a division of Ruud Lighting, Inc. For a listing of Ruud Lighting, Inc. patents, visit [www.uspto.gov](http://www.uspto.gov).

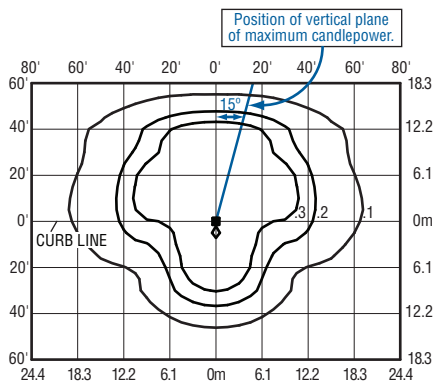
**Photometrics**



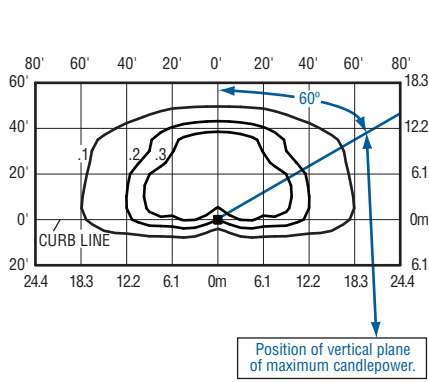
Independent Testing Laboratories certified test. Report No. ITL63266. Candlepower trace of 6000K, 40 LED Type III Medium streetlight luminaire with 4,696 initial delivered lumens operating at 525mA. All published luminaire photometric testing performed to IESNA LM-79-08 standards.



Independent Testing Laboratories certified test. Report No. ITL64192. Candlepower trace of 6000K, 40 LED Type III Medium streetlight luminaire with backlight control and 3,178 initial delivered lumens operating at 525mA. All published luminaire photometric testing performed to IESNA LM-79-08 standards.



Isofootcandle plot of 6000K, 30 LED Type III Medium streetlight luminaire at 25' A.F.G. Luminaire with 3,493 initial delivered lumens operating at 525mA. Initial FC at grade.



Isofootcandle plot of 6000K, 30 LED Type III Medium streetlight luminaire with backlight control at 25' A.F.G. Luminaire with 2,620 initial delivered lumens operating at 525mA. Initial FC at grade.

**LEDway™ EPA & Weight Calculations**

	Approximate Weight 120–277V*	
20–30 LED fixture	10.5 lbs.	
<b>EPA</b>		
<b>Horizontal Tenon Mount</b>		
1 fixture	0.565	
<b>EPA</b>		
<b>Round External Mount / Square Internal Mount Horizontal Tenons with Fixture(s)</b>		
PT/PD-1H	Single	0.785
PT/PD-2H(90)	90° Twin	1.019
PT/PD-2H(180)	180° Twin	1.350
PT/PD-3H(90)	90° Triple	1.534
PT/PD-3H(120)	120° Triple	1.383
PT/PD-4H(90)	90° Quad	1.938

\*Add 5 lbs. for transformer in 347–480V fixtures

