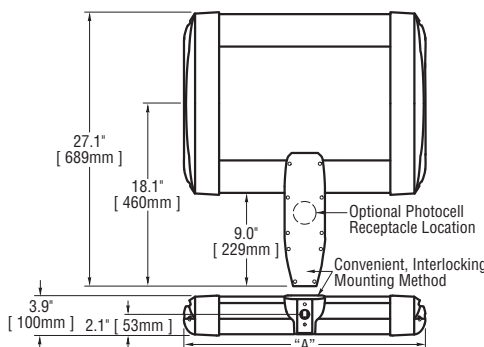




Notes:



# of LEDs	Dim. "A"
20	11.75"
40	11.75"
60	13.75"
80	15.75"
100	17.75"
120	19.75"
140	21.75"
160	23.75"
180	25.75"
200	27.75"
220	29.75"
240	31.75"

Product	Family	Optic	Mounting	# of LEDs (x 10)	LED Series	Voltage	Color Options	Factory-Installed Options
ARE	EDG	3M <sup>1</sup> 3MB <sup>2</sup>	DA <sup>3</sup>	02 04 06 08 10 12 14 16 18 20 22 24	C	UL Universal 120-277V UH Universal 347-480V 12 120V 24 240V 27 277V 34 347V	SV Silver BK Black BZ Bronze PB Platinum 24 Bronze WH White	Please type additional options in manually on the lines provided above. 43K 4300K Color Temperature <sup>4</sup> 525 525mA Drive Current <sup>5,6</sup> DIM 0-10V Dimming <sup>7,8</sup> F Fuse <sup>9</sup> HL Hi/Low (175/350/525, dual circuit input) <sup>10-12</sup> P Photocell <sup>13-16</sup> R NEMA Photocell Receptacle <sup>15-18</sup> TL Two-Level (175/525 w/ integrated sensor control) <sup>10,12</sup> TL2 Two-Level (0/350 w/ integrated sensor control) <sup>12</sup> TL3 Two-Level (0/525 w/ integrated sensor control) <sup>10,12</sup>

Footnotes

1. IESNA Type III Medium distribution
2. IESNA Type III Medium distribution with backlight control
3. Direct mounting arm for use with 3-6" square or round pole
4. Color temperature per fixture; minimum 70 CRI
5. Driver operates at 525mA instead of the standard 350mA providing a higher lumen output and a shorter life
6. Available on fixtures with 20-120 LEDs
7. Control by others
8. Please consult factory for availability
9. Not available with TL, TL2, or TL3 options when UH voltage is selected
10. Available on 120-277V fixtures with 20-120 LEDs and 347-480V fixtures with 40-120 LEDs
11. Sensor not included
12. Refer to multi-level spec sheet for more information
13. Not available with HL option when UH voltage is selected
14. Must specify voltage other than UL or UH
15. Not available with TL2 or TL3 options
16. Not available with TL option when UH voltage is selected
17. 100 LED maximum when used with TL option
18. Not available with HL option

LED PERFORMANCE SPECS

# of LEDs	Initial Delivered Lumens – Type III Medium @ 6000K	B U G			Initial Delivered Lumens – Type III Medium w/ Backlight Control @ 6000K	B U G			Initial Delivered Lumens – Type III Medium @ 4300K	B U G			System Watts 120-277V	Total Current @ 120V	Total Current @ 230V	Total Current @ 277V	System Watts 347-480V <sup>1</sup>	Total Current @ 347V	Total Current @ 480V	L <sub>70</sub> Hours <sup>2</sup> @ 25° C (77° F)
		Rating <sup>3</sup>	Rating <sup>3</sup>	Rating <sup>3</sup>		Rating <sup>3</sup>	Rating <sup>3</sup>	Rating <sup>3</sup>		Rating <sup>3</sup>										
<b>350mA (Standard) Fixture Operating at 25° C (77° F)</b>																				
20	1,649 (02)	1	1	1	1,237 (02)	0	1	1	1,446 (02)	1	1	1	25	0.23	0.11	0.10	30	0.10	0.15	105,000
40	3,298 (04)	1	1	1	2,473 (04)	0	1	1	2,892 (04)	1	1	1	49	0.41	0.23	0.20	55	0.16	0.16	105,000
60	4,946 (06)	2	2	2	3,710 (06)	0	1	1	4,338 (06)	2	2	2	71	0.60	0.32	0.28	77	0.22	0.20	105,000
80	6,595 (08)	2	2	2	4,946 (08)	1	2	2	5,785 (08)	2	2	2	93	0.78	0.41	0.35	99	0.29	0.23	105,000
100	8,244 (10)	3	3	3	6,183 (10)	1	3	2	7,231 (10)	2	2	2	116	0.98	0.52	0.43	123	0.35	0.28	105,000
120	9,893 (12)	3	3	3	7,419 (12)	1	3	2	8,677 (12)	3	3	3	139	1.17	0.61	0.52	146	0.42	0.33	105,000
140	11,541 (14)	3	3	3	8,656 (14)	1	3	2	10,123 (14)	3	3	3	164	1.39	0.74	0.63	172	0.50	0.37	105,000
160	13,190 (16)	3	3	3	9,893 (16)	1	3	2	11,569 (16)	3	3	3	186	1.58	0.83	0.71	195	0.56	0.41	105,000
180	14,839 (18)	3	3	3	11,129 (18)	1	3	2	13,015 (18)	3	3	3	211	1.77	0.93	0.79	220	0.63	0.47	105,000
200	16,488 (20)	3	3	3	12,366 (20)	2	3	2	14,462 (20)	3	3	3	233	1.97	1.03	0.87	243	0.70	0.51	105,000
220	18,136 (22)	3	3	3	13,602 (22)	2	3	2	15,908 (22)	3	3	3	256	2.16	1.13	0.95	267	0.77	0.56	105,000
240	19,785 (24)	3	3	3	14,839 (24)	2	3	3	17,354 (24)	3	3	3	279	2.35	1.23	1.03	291	0.84	0.61	105,000
<b>525mA Fixture Operating at 25° C (77° F)</b>																				
20	2,143 (02)	1	1	1	1,608 (02)	0	1	1	1,880 (02)	1	1	1	37	0.31	0.18	0.17	43	0.13	0.15	61,000
40	4,287 (04)	2	2	2	3,215 (04)	0	1	1	3,760 (04)	1	1	1	69	0.58	0.31	0.27	75	0.22	0.19	61,000
60	6,430 (06)	2	2	2	4,823 (06)	1	2	2	5,640 (06)	2	2	2	110	0.92	0.49	0.41	116	0.33	0.27	61,000
80	8,574 (08)	3	3	3	6,430 (08)	1	3	2	7,520 (08)	2	2	2	138	1.16	0.62	0.54	145	0.42	0.32	61,000
100	10,717 (10)	3	3	3	8,038 (10)	1	3	2	9,400 (10)	3	3	3	177	1.49	0.79	0.68	186	0.53	0.40	61,000
120	12,860 (12)	3	3	3	9,645 (12)	1	3	2	11,280 (12)	3	3	3	217	1.82	0.96	0.81	226	0.65	0.48	61,000

1. Utilizes magnetic step-down transformer  
 2. For recommended lumen depreciation data see TD-13  
 3. For more information on the IES BUG (Backlight-Uplight-Glare) Rating visit [www.iesna.org/PDF/Erratas/TM-15-07BugRatingsAddendum.pdf](http://www.iesna.org/PDF/Erratas/TM-15-07BugRatingsAddendum.pdf)



**General Description**

Slim, low profile design minimizes wind load requirements. Fixture sides are rugged cast aluminum with integral, weather-tight LED driver compartments and high performance aluminum heatsinks. Convenient, interlocking mounting method. Mounting housing is rugged die cast aluminum and mounts to 3 – 6" square or round pole. Fixture is secured by two (2) 5/16-18 UNC bolts spaced on 2" centers. Includes leaf/debris guard. Five year limited warranty on fixture.

**Electrical**

Modular design accommodates varied lighting output from high power, white, 6000K (+/- 500K per full fixture), minimum 70 CRI, long life LED sources. 120–277V 50/60 Hz, Class 1 LED drivers are standard. 347–480V 50/60 Hz driver is optional. LED drivers have power factor >90% and THD <20% of full load. Units provided with integral 9kV surge suppression protection standard. Integral weather-tight electrical box with terminal strip for easy power hook-up. Surge protection tested in accordance with IEEE C62.41.2 and ANSI standard 62.41.2.

**Testing & Compliance**

UL listed in the U.S. and Canada for wet locations. Consult factory for CE Certified products. RoHS compliant. International Dark-Sky Association approved.

**Finish**

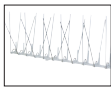
Exclusive Colorfast DeltaGuard® finish features an E-Coat epoxy primer with an ultra-durable silver powder topcoat, providing excellent resistance to corrosion, ultraviolet degradation and abrasion. Bronze, black, white and platinum bronze powder topcoats are also available. The finish is covered by our 10 year limited warranty.

Fixture and finish are endurance tested to withstand 5,000 hours of elevated ambient salt fog conditions as defined in ASTM Standard B 117.

**Patents**

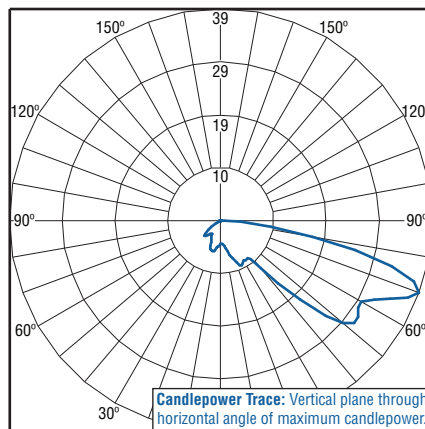
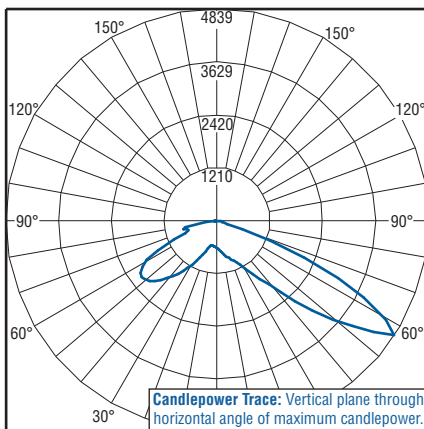
U.S. and international patents granted and pending. BetaLED is a division of Ruud Lighting, Inc. For a listing of Ruud Lighting, Inc. patents, visit [www.uspto.gov](http://www.uspto.gov).

**Field-Installed Accessories**

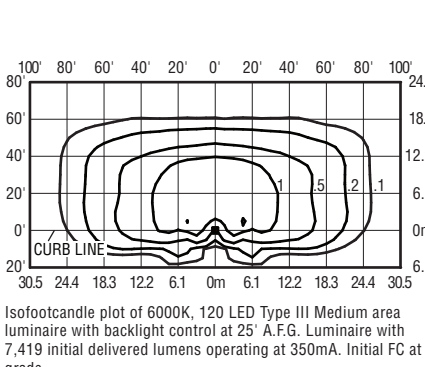
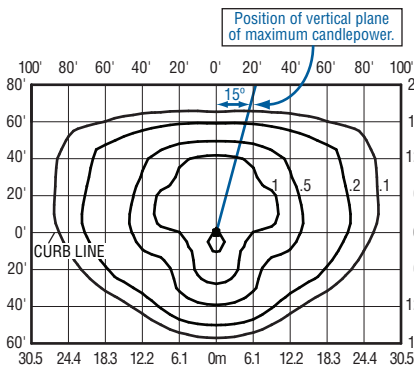


**Bird Spikes**  
XA-BRDSPK

**Photometrics**



Independent Testing Laboratories certified test. Report No. ITL63574. Candlepower trace of 6000K, 120 LED Type III Medium area luminaire with 9,914 initial delivered lumens operating at 350mA. All published luminaire photometric testing performed to IESNA LM-79-08 standards.



Isofootcandle plot of 6000K, 120 LED Type III Medium area luminaire at 25' A.F.G. Luminaire with 9,993 initial delivered lumens operating at 350mA. Initial FC at grade.

**THE EDGE™ EPA & Weight Calculations**

# of LEDs	Approximate Weight		2@ 180°	2@ 90°	3@ 90°	4@ 90°
	120-277V <sup>1</sup>	Single				
<b>Fixed Arm Mount</b>						
20	21.0 lbs.	0.60	1.20	0.87	1.47	1.75
40	23.7 lbs.	0.60	1.20	0.87	1.47	1.75
60	27.0 lbs.	0.60	1.20	0.92	1.51	1.83
80	28.1 lbs.	0.60	1.20	0.96	1.55	1.91
100	32.3 lbs.	0.60	1.20	1.00	1.60	2.00
120	33.5 lbs.	0.60	1.20	1.04	1.64	2.08
140	36.9 lbs.	0.60	1.20	1.08	1.68	2.16
160	41.4 lbs.	0.60	1.20	1.12	1.72	2.24
180	42.1 lbs.	0.60	1.20	n/a <sup>2</sup>	n/a <sup>2</sup>	n/a <sup>2</sup>
200	43.3 lbs.	0.61	1.21	n/a <sup>2</sup>	n/a <sup>2</sup>	n/a <sup>2</sup>
220	46.6 lbs.	0.65	1.29	n/a <sup>2</sup>	n/a <sup>2</sup>	n/a <sup>2</sup>
240	47.8 lbs.	0.69	1.38	n/a <sup>2</sup>	n/a <sup>2</sup>	n/a <sup>2</sup>

1. Add 5 lbs. for transformer in 347-480V fixtures  
2. For applications requiring 180 or more LEDs at 90 degrees refer to the DL mount version of our spec sheet.

